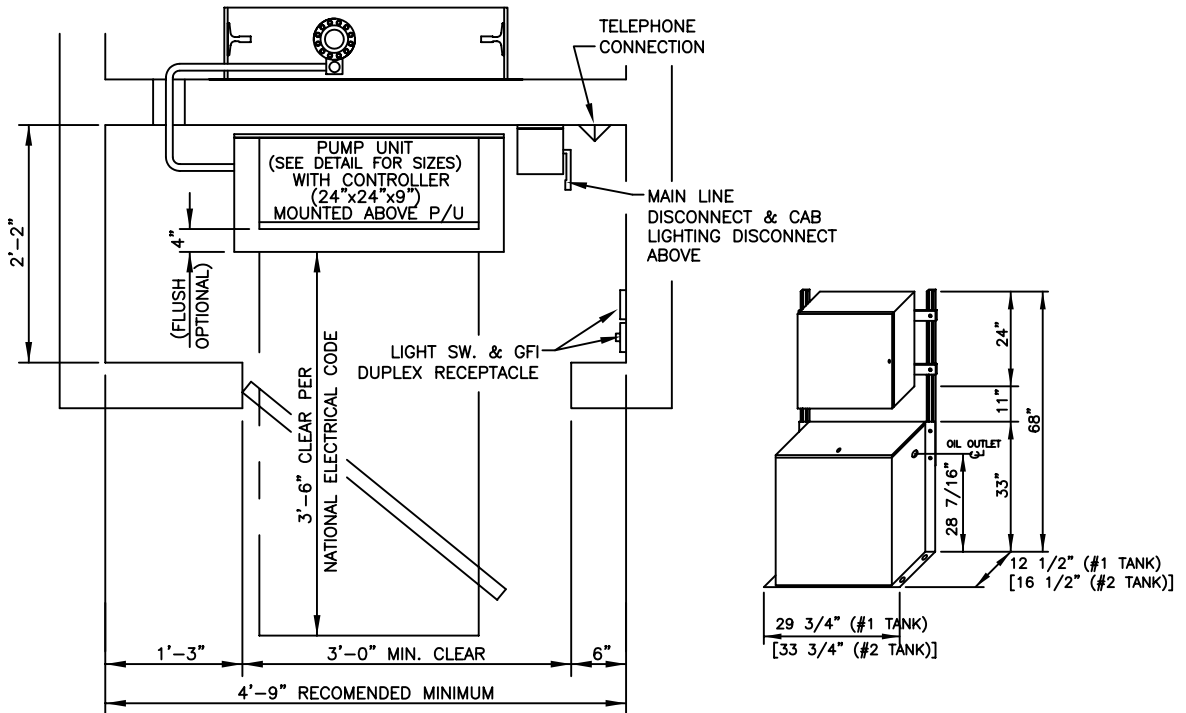


ALTERNATE MACHINE ROOM LAYOUT



Machine Room (Alternate)

REAL
Elevator Solutions, Inc.
Residential Elevators & Accessibility Lifts

R.E.A.L. Elevator Solutions, Inc.
P.O. Box 30544
Raleigh, NC 27622
Toll Free: 866-550-REAL
Fax: 919-788-7633
sales@realelevators.com
ROPED HYDRAULIC
RESIDENTIAL ELEVATOR

www.realelevators.com