

DOOR OPENING

1 3/4" THICK DOOR  
(MINIMUM)  
(BY G.C.)

FIN. FLOOR

SHEETROCK

HEADER

DOOR CASING  
(TYPICAL)

OUTER DOOR JAMB  
(BY G.C.)

DOOR JAMB  
(BY G.C.)

DOOR INTERLOCK KEEPER  
(BY ELEVATOR CONTRACTOR)

HOISTWAY DOOR INTERLOCK  
(BY ELEVATOR CONTRACTOR)

**NOTE: 3" MAXIMUM IN ACCORDANCE WITH  
ASME A17.1 SAFETY CODE FOR  
ELEVATORS. (NO DEVIATIONS)**


**"MUST HOLD" 2 1/4"  
DOOR SET BACK  
SHAFT SIDE**

3/4" SILL PROJECTING  
INTO HOISTWAY  
(BY GENERAL CONTRACTOR)

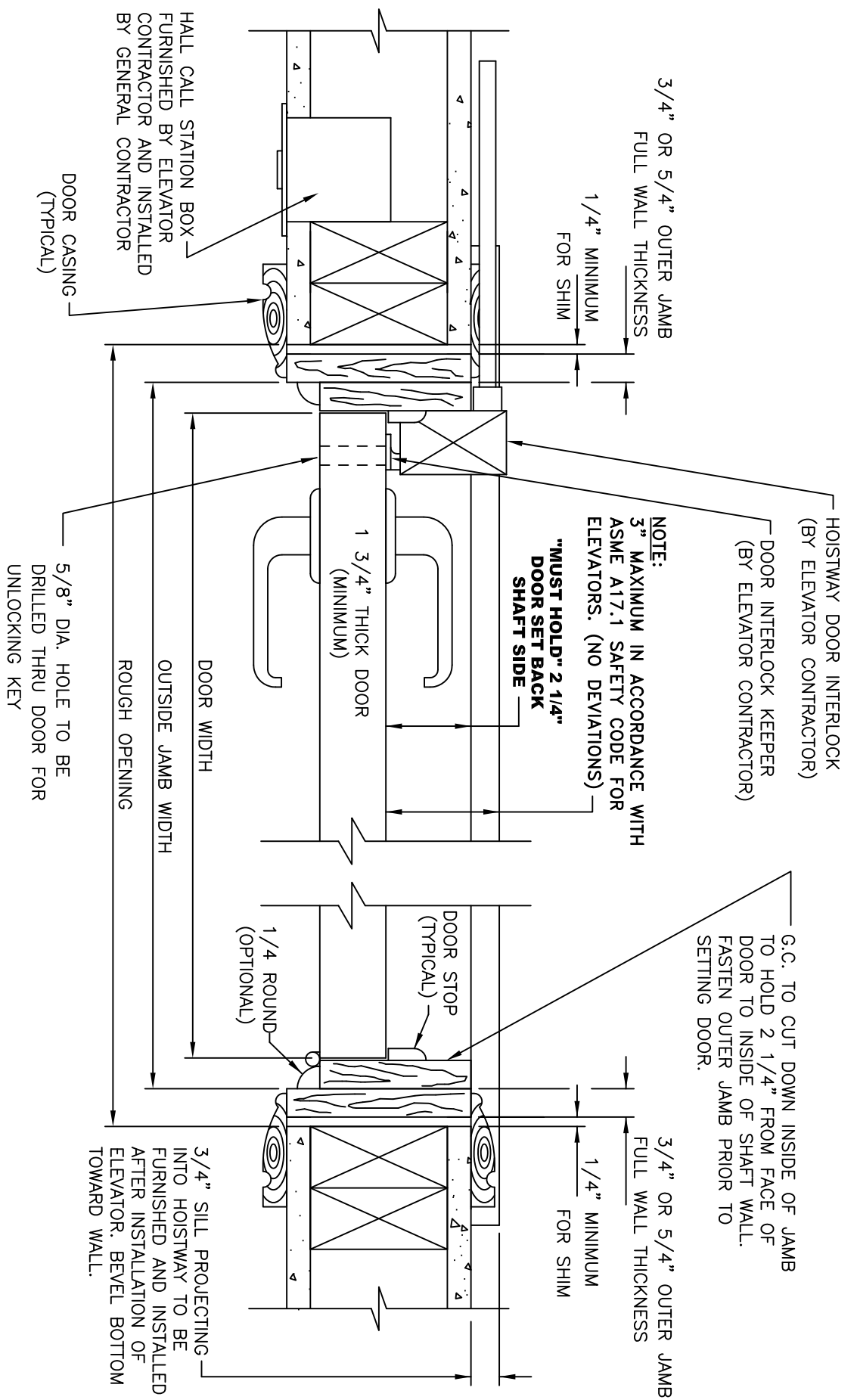
**HOISTWAY DOOR & FRAME DETAIL FOR  
ASME A17.1 CODE COMPLIANT RESIDENTIAL  
ELEVATOR APPLICATIONS**

**SECTION A-A**

**R.E.A.L. Elevator Solutions, Inc.**  
 P.O. Box 30544  
 Raleigh, NC 27622  
 Toll Free: 866-550-REAL  
 Fax: 919-788-7633  
 sales@realelevators.com  
**ROPED HYDRAULIC  
RESIDENTIAL ELEVATOR**



Residential Elevators & Accessibility Lifts



TYPICAL STUD AND SHEETROCK  
WALL CONSTRUCTION SHOWN  
(BY G.C.)

LEFT HAND SHOWN  
RIGHT HAND OPPOSITE

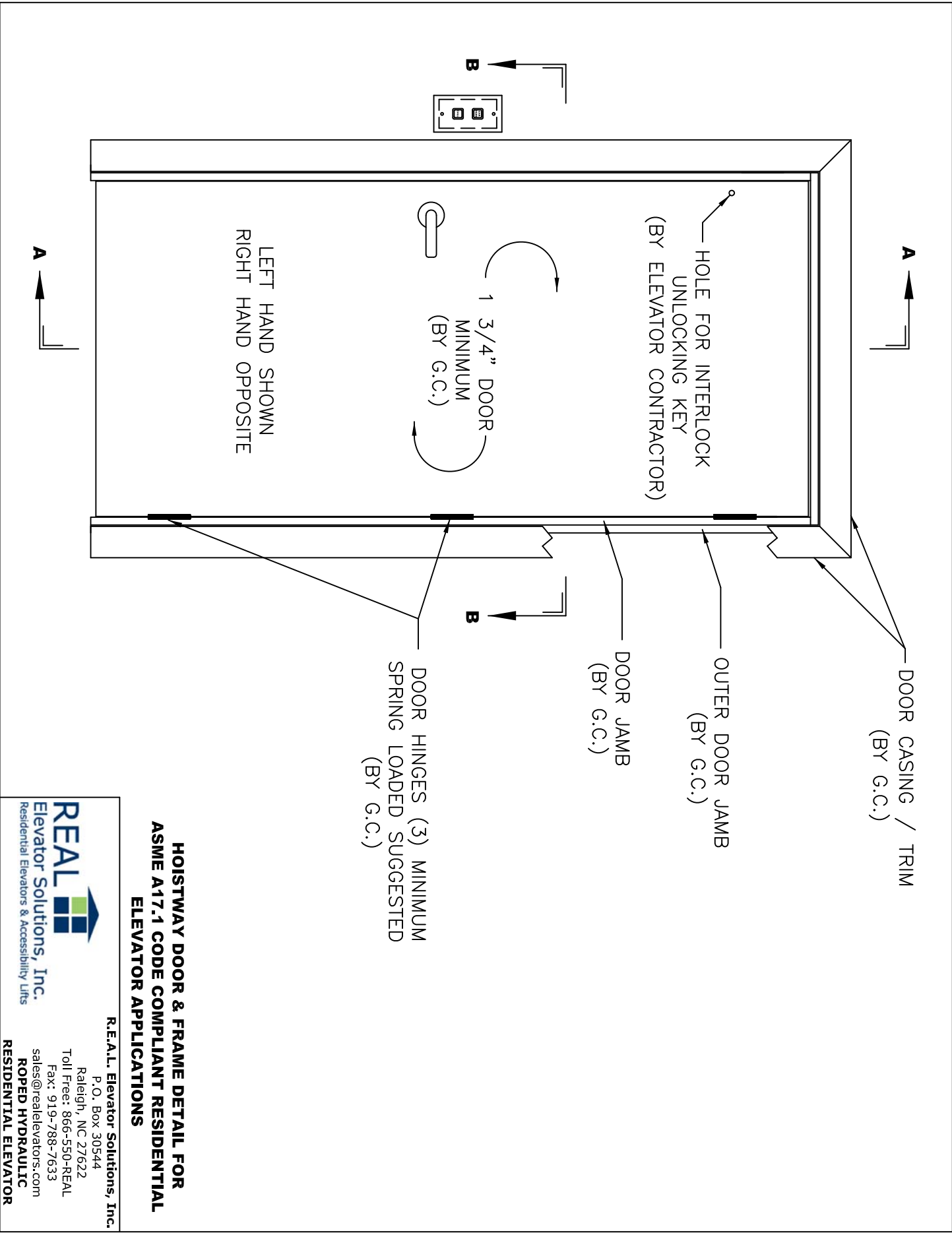
**SECTION B-B**

**HOISTWAY DOOR & FRAME DETAIL FOR  
ASME A17.1 CODE COMPLIANT RESIDENTIAL  
ELEVATOR APPLICATIONS**

**REAL**  
Elevator Solutions, Inc.  
Residential Elevators & Accessibility Lifts

P.O. Box 30544  
Raleigh, NC 27622  
Toll Free: 866-550-REAL  
Fax: 919-788-7633  
sales@realelevators.com

**ROPED HYDRAULIC  
RESIDENTIAL ELEVATOR**



**HOISTWAY DOOR & FRAME DETAIL FOR  
ASME A17.1 CODE COMPLIANT RESIDENTIAL  
ELEVATOR APPLICATIONS**



**R.E.A.L. Elevator Solutions, Inc.**

P.O. Box 30544

Raleigh, NC 27622

Toll Free: 866-550-REAL

Fax: 919-788-7633

sales@realelevators.com

**ROPED HYDRAULIC  
RESIDENTIAL ELEVATOR**

W W W . R E A L E L E V A T O R S . C O M