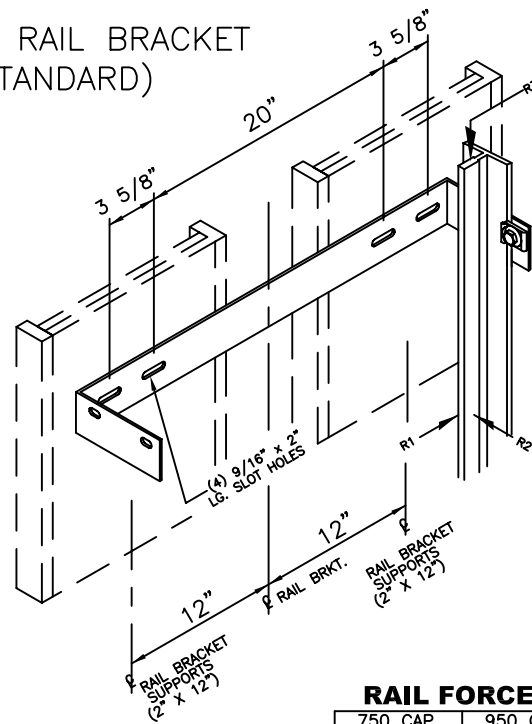


FIXED RAIL BRACKET  
(STANDARD)



**RAIL FORCES**

	750 CAP.	950 CAP.
R1	65 LBS.	105 LBS.
R2	220 LBS.	250 LBS.
R3	3,205 LBS.	3,730 LBS.

**Rail Bracket  
(Standard)**



R.E.A.L. Elevator Solutions, Inc.  
 P.O. Box 30544  
 Raleigh, NC 27622  
 Toll Free: 866-550-REAL  
 Fax: 919-788-7633  
 sales@realelevators.com  
**ROPED HYDRAULIC  
 RESIDENTIAL ELEVATOR**